



LEGEND

Codes indicated with numbers:

13XXX.1

supplied with G 3/8" coupling

13XXX.2

supplied with G 1/2" coupling

1. To require chemical nickel plating
add NK to the article's code

EX. 13001.1NK

TECHNICAL INFORMATION

The taps for technical gases are supplied with re-fined adjustment head valve, with sealing in PTFE.

Fixed nozzle in compliance with the DIN12898 regulation.

Handles in compliance with EN13792:2000 regulation and manufactured in acid-resistant PP.

Threads in compliance with ISO228/1 regulation, B tolerance class.

Taps are built following the DIN12918 norm.

The taps for oxygen and hydrogen are equipped with an headwork lubricated with specific and omologated grease.

Maximum working pressure 10 Bar.

Taps finished with acid-resistant epoxy powder painting.

APPLICATION

Wall mounting - Vertical mounting

DETAILS

Test pressure: 9 Bars/air
Max working pressure: 20 Bars

SURFACE PROTECTION

Epoxy powder coating
RAL 7035

MATERIALS

Brass
Handle in PP

HEADWORK SEALING

PTFE temperature working range: 0 - 100°

CONNECTION TAP

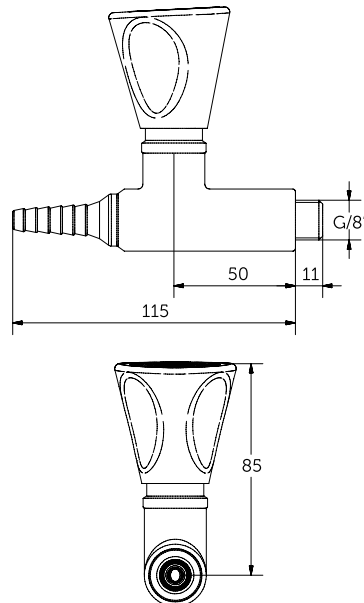
Male thread G3/8"

STANDARD AND NORMS

EN13792:2000
DIN12898
DIN12918
ISO228/1

OPTIONS

For Purity 4.0 and O2-H2
13000.1MDSGD (o-ring viton)
For Steam 13000.1MDST
(o-ring viton)



WARRANTY 2 YEARS

APPLICATION

Wall mounting - Vertical mounting

DETAILS

Test pressure: 9 Bars/air

Max working pressure: 20 Bars

SURFACE PROTECTION

Epoxy powder coating
RAL 7035

MATERIALS

Brass

Handle in PP

HEADWORK SEALING

PTFE temperature working range: 0 - 100°

CONNECTION TAP

Male thread G3/8"

STANDARD AND NORMS

EN13792:2000

DIN12898

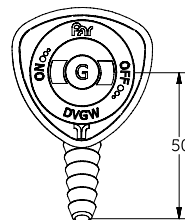
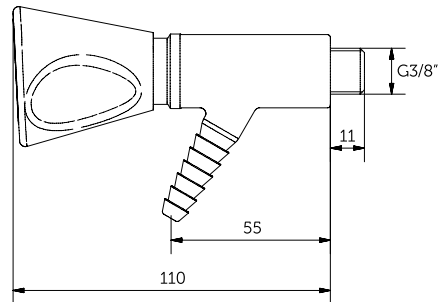
DIN12918

ISO228/1

OPTIONS

For Purity 4.0 and O2-H2
13001.1MDSGD (o-ring viton)

For Steam 13001.1MDST
(o-ring viton)



APPLICATION

Wall mounting - Vertical mounting

DETAILS

Test pressure: 9 Bars/air

Max working pressure: 20 Bars

SURFACE PROTECTION

Epoxy powder coating
RAL 7035

MATERIALS

Brass

Handle in PP

HEADWORK SEALING

PTFE temperature working range: 0 - 100°

CONNECTION TAP

Male thread G3/8"

STANDARD AND NORMS

EN13792:2000

DIN12898

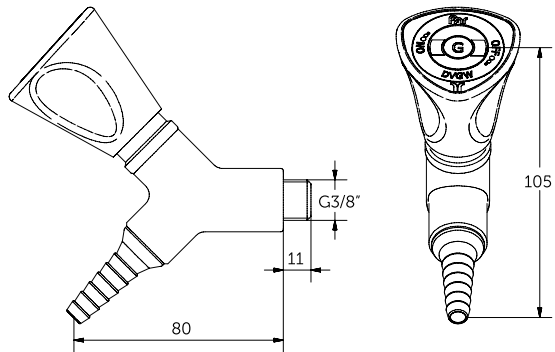
DIN12918

ISO228/1

OPTIONS

For Purity 4.0 and O2-H2
13002.1MDS DG (o-ring viton)

For Steam 13002.1MDST
(o-ring viton)



APPLICATION

Wall mounting - Vertical mounting

DETAILS

Test pressure: 9 Bars/air

Max working pressure: 20 Bars

SURFACE PROTECTION

Epoxy powder coating
RAL 7035

MATERIALS

Brass

Handle in PP

HEADWORK SEALING

PTFE temperature working range: 0 - 100°

CONNECTION TAP

Male thread G3/8"

STANDARD AND NORMS

EN13792:2000

DIN12898

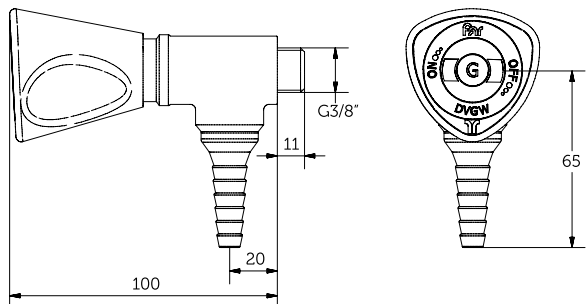
DIN12918

ISO228/1

OPTIONS

For Purity 4.0 and O2-H2
13003.1MDSGD (o-ring viton)

For Steam 13003.1MDST
(o-ring viton)



APPLICATION

Bench mounting

DETAILS

Test pressure: 9 Bars/air

Max working pressure: 20 Bars

SURFACE PROTECTION

Epoxy powder coating
RAL 7035

MATERIALS

Brass

Handle in PP

HEADWORK SEALING

PTFE temperature
working range: 0 - 100°

CONNECTION TAP

Male thread G1/2"

STANDARD AND NORMS

EN13792:2000

DIN12898

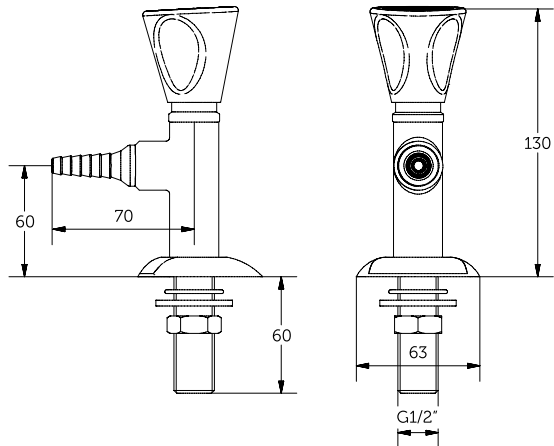
DIN12918

ISO228/1

OPTIONS

For Purity 4.0 and O2-H2
13010.2MDS DG (o-ring viton)

For Steam 13010.2MDST
(o-ring viton)



WARRANTY 2 YEARS

APPLICATION

Bench mounting

DETAILS

Test pressure: 9 Bars/air

Max working pressure: 20 Bars

SURFACE PROTECTION

Epoxy powder coating
RAL 7035

MATERIALS

Brass

Handle in PP

HEADWORK SEALING

PTFE temperature
working range: 0 - 100°

CONNECTION TAP

Male thread G1/2"

STANDARD AND NORMS

EN13792:2000

DIN12898

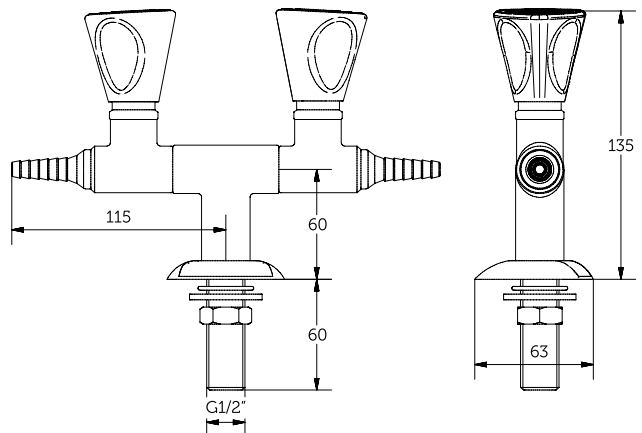
DIN12918

ISO228/1

OPTIONS

For Purity 4.0 and O2-H2
13011.2MDSGD (o-ring viton)

For Steam 13011.2MDST
(o-ring viton)



WARRANTY 2 YEARS

APPLICATION

Bench mounting

DETAILS

Test pressure: 9 Bars/air

Max working pressure: 20 Bars

SURFACE PROTECTION

Epoxy powder coating
RAL 7035

MATERIALS

Brass

Handle in PP

HEADWORK SEALING

PTFE temperature
working range: 0 - 100°

CONNECTION TAP

Male thread G1/2"

STANDARD AND NORMS

EN13792:2000

DIN12898

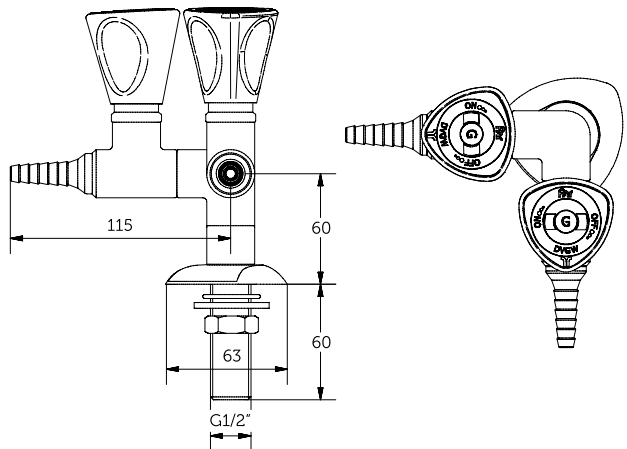
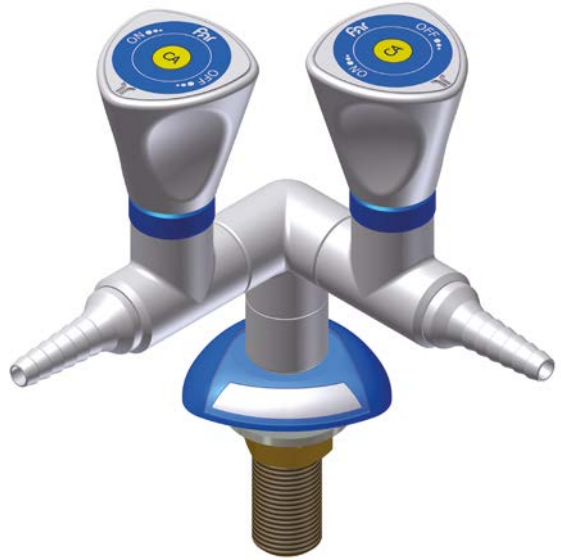
DIN12918

ISO228/1

OPTIONS

For Purity 4.0 and O2-H2
13012.2MDS DG (o-ring viton)

For Steam 13012.2MDST
(o-ring viton)



WARRANTY 2 YEARS

APPLICATION

Bench mounting

DETAILS

Test pressure: 9 Bars/air

Max working pressure: 20 Bars

SURFACE PROTECTION

Epoxy powder coating
RAL 7035

MATERIALS

Brass

Handle in PP

HEADWORK SEALING

PTFE temperature
working range: 0 - 100°

CONNECTION TAP

Male thread G1/2"

STANDARD AND NORMS

EN13792:2000

DIN12898

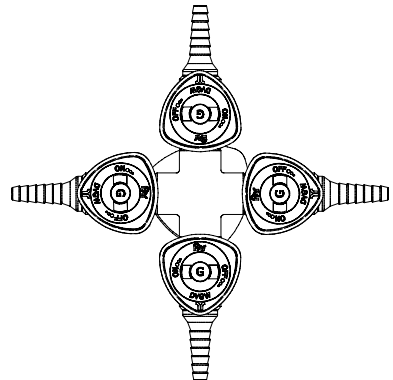
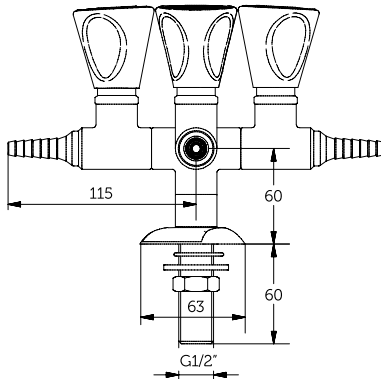
DIN12918

ISO228/1

OPTIONS

For Purity 4.0 and O2-H2
13013.2MDS DG (o-ring viton)

For Steam 13013.2MDST
(o-ring viton)



APPLICATION

Wall mounting - Vertical mounting

DETAILS

Test pressure: 9 Bars/air

Max working pressure: 20 Bars

SURFACE PROTECTION

Epoxy powder coating
RAL 7035

MATERIALS

Brass

Handle in PP

HEADWORK SEALING

PTFE temperature
working range: 0 - 100°

CONNECTION TAP

Male thread G1/2"

STANDARD AND NORMS

EN13792:2000

DIN12898

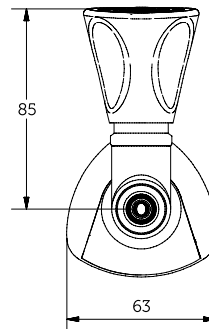
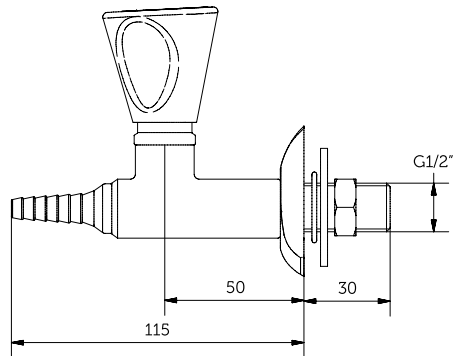
DIN12918

ISO228/1

OPTIONS

For Purity 4.0 and O2-H2
13050.2MDSDG (o-ring viton)

For Steam 13050.2MDST
(o-ring viton)



WARRANTY 2 YEARS

APPLICATION

Wall mounting - Vertical mounting

DETAILS

Test pressure: 9 Bars/air

Max working pressure: 20 Bars

SURFACE PROTECTION

Epoxy powder coating
RAL 7035

MATERIALS

Brass

Handle in PP

HEADWORK SEALING

PTFE temperature working range: 0 - 100°

CONNECTION TAP

Male thread G1/2"

STANDARD AND NORMS

EN13792:2000

DIN12898

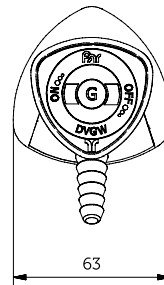
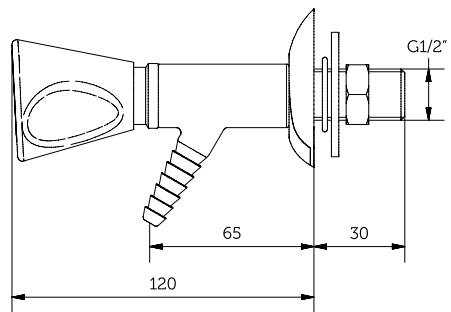
DIN12918

ISO228/1

OPTIONS

For Purity 4.0 and O2-H2
13051.2MDSGD (o-ring viton)

For Steam 13051.2MDST
(o-ring viton)



APPLICATION

Wall mounting - Vertical mounting

DETAILS

Test pressure: 9 Bars/air

Max working pressure: 20 Bars

SURFACE PROTECTION

Epoxy powder coating
RAL 7035

MATERIALS

Brass

Handle in PP

HEADWORK SEALING

PTFE temperature
working range: 0 - 100°

CONNECTION TAP

Male thread G1/2"

STANDARD AND NORMS

EN13792:2000

DIN12898

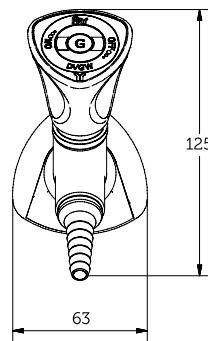
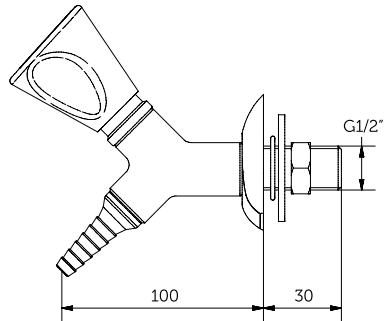
DIN12918

ISO228/1

OPTIONS

For Purity 4.0 and O2-H2
13052.2MDS DG (o-ring viton)

For Steam 13052.2MDST
(o-ring viton)



APPLICATION

Wall mounting - Vertical mounting

DETAILS

Test pressure: 9 Bars/air

Max working pressure: 20 Bars

SURFACE PROTECTION

Epoxy powder coating
RAL 7035

MATERIALS

Brass

Handle in PP

HEADWORK SEALING

PTFE temperature working range: 0 - 100°

CONNECTION TAP

Male thread G1/2"

STANDARD AND NORMS

EN13792:2000

DIN12898

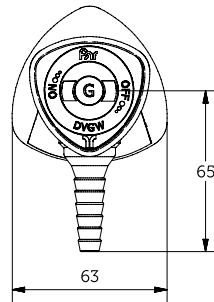
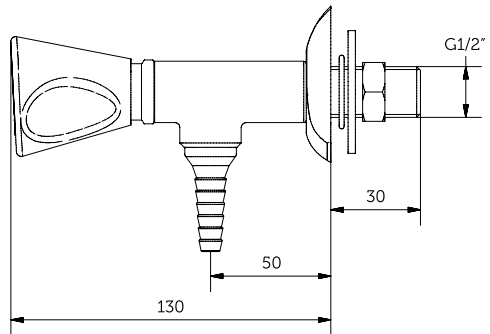
DIN12918

ISO228/1

OPTIONS

For Purity 4.0 and O2-H2
13053.2MDSGD (o-ring viton)

For Steam 13053.2MDST
(o-ring viton)



APPLICATION

Wall mounting - Vertical mounting

DETAILS

Test pressure: 9 Bars/air

Max working pressure: 20 Bars

SURFACE PROTECTION

Epoxy powder coating
RAL 7035

MATERIALS

Brass

Handle in PP

HEADWORK SEALING

PTFE temperature working range: 0 - 100°

CONNECTION TAP

Male thread G1/2"

STANDARD AND NORMS

EN13792:2000

DIN12898

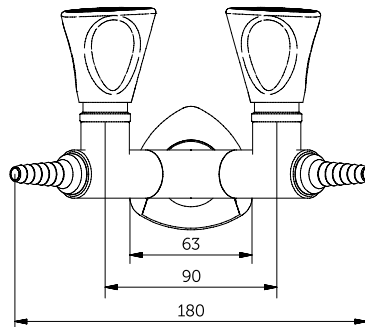
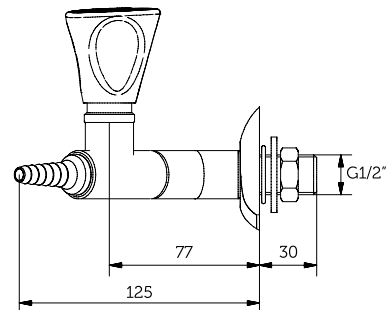
DIN12918

ISO228/1

OPTIONS

For Purity 4.0 and O2-H2
13060.2MDSDG (o-ring viton)

For Steam 13060.2MDST
(o-ring viton)



WARRANTY 2 YEARS

APPLICATION

Wall mounting - Vertical mounting

DETAILS

Test pressure: 9 Bars/air
Max working pressure: 20 Bars

SURFACE PROTECTION

Epoxy powder coating
RAL 7035

MATERIALS

Brass
Handle in PP

HEADWORK SEALING

PTFE temperature working range: 0 - 100°

CONNECTION TAP

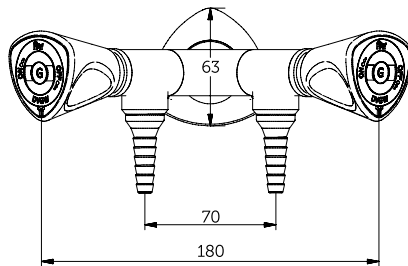
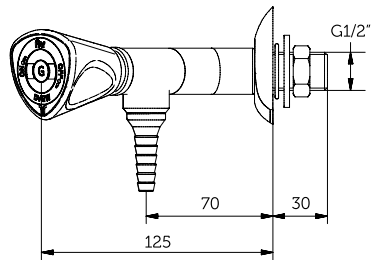
Male thread G1/2"

STANDARD AND NORMS

EN13792:2000
DIN12898
DIN12918
ISO228/1

OPTIONS

For Purity 4.0 and O2-H2
13062.2MDSGD (o-ring viton)
For Steam 13062.2MDST (o-ring viton)



WARRANTY 2 YEARS

APPLICATION

Wall mounting - Vertical mounting

DETAILS

Test pressure: 9 Bars/air

Max working pressure: 20 Ba

SURFACE PROTECTION

Epoxy powder coating
RAL 7035

MATERIALS

Brass

Handle in PP

HEADWORK SEALING

PTFE temperature
working range: 0 - 100°

CONNECTION TAP

Male thread G1/2"

STANDARD AND NORMS

EN13792:2000

DIN12898

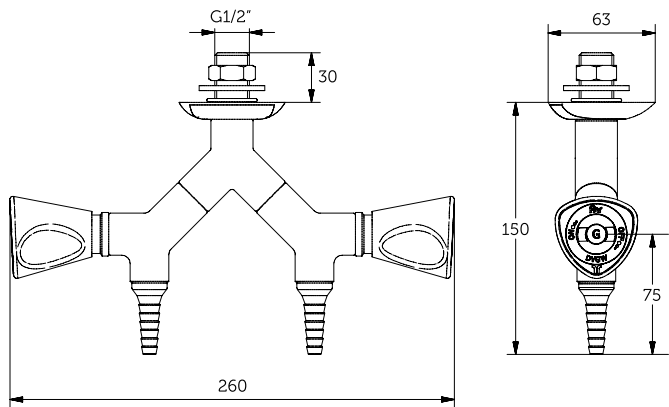
DIN12918

ISO228/1

OPTIONS

For Purity 4.0 and O2-H2
13064.2MDSGD (o-ring viton)

For Steam 13064.2MDST
(o-ring viton)



APPLICATION

Fume cupboard

DETAILS

Test pressure: 9 Bars/air

Max working pressure: 20 Bar

SURFACE PROTECTION

Epoxy powder coating
RAL 7035

MATERIALS

Brass

Handle in PP

HEADWORK SEALING

PTFE temperature
working range: 0 - 100°

CONNECTION TAP

Flexibles with swivelling
nut F3/8"

STANDARD AND NORMS

EN13792:2000

DIN12898

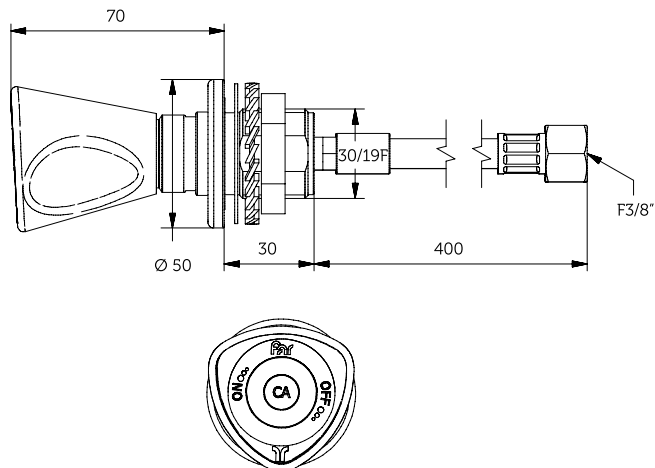
DIN12918

ISO228/1

OPTIONS

For Purity 4.0 and O2-H2
13300.MDSFDG (o-ring viton)

For Steam 13300.MDSFT
(o-ring viton)



WARRANTY 2 YEARS

APPLICATION

Fume cupboard

DETAILS

Test pressure: 9 Bars/air

Max working pressure: 20 Bars

SURFACE PROTECTION

Epoxy powder coating
RAL 7035

MATERIALS

Brass

Handle in PP

HEADWORK SEALING

PTFE temperature
working range: 0 - 100°

CONNECTION TAP

Copper Tubes Ø10

STANDARD AND NORMS

EN13792:2000

DIN12898

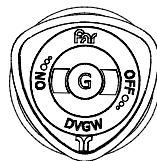
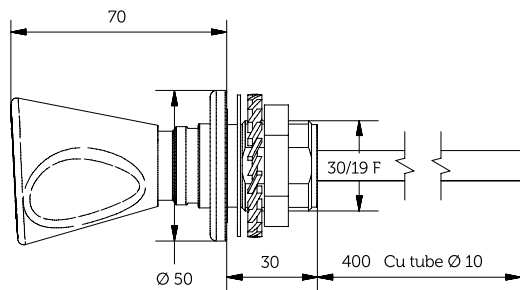
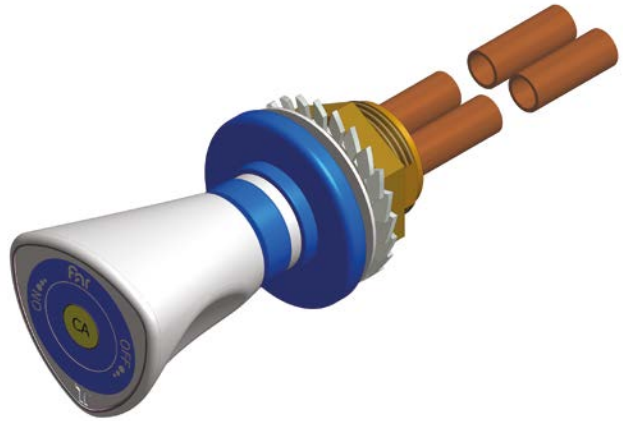
DIN12918

ISO228/1

OPTIONS

For Purity 4.0 and O2-H2
13300.MDSTDG (o-ring viton)

For Steam 13300.MDSTT
(o-ring viton)



WARRANTY 2 YEARS

APPLICATION

Wall mounting
Fume cupboard

SURFACE PROTECTION

Epoxy powder coating
RAL 7035

MATERIALS

Brass

CONNECTION TAP

Male thread G3/8"

STANDARD AND NORMS

EN13792:2000

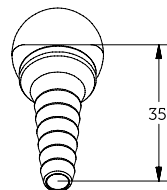
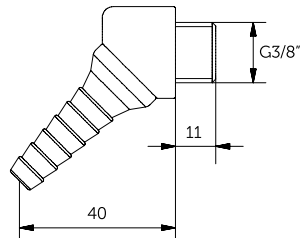
DIN12898

DIN12918

ISO228/1

OPTIONS

With chemical nickel
plating 17 microns inside



APPLICATION

Wall mounting
Fume cupboard

SURFACE PROTECTION

Epoxy powder coating
RAL 7035

MATERIALS

Brass

CONNECTION TAP

Male thread G3/8"

STANDARD AND NORMS

EN13792:2000

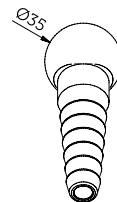
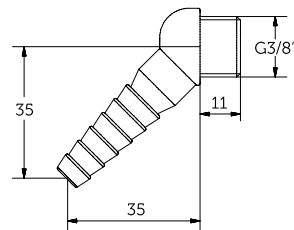
DIN12898

DIN12918

ISO228/1

OPTIONS

With chemical nickel
plating 17 microns inside



APPLICATION

Wall mounting
Fume cupboard

SURFACE PROTECTION

Epoxy powder coating
RAL 7035

MATERIALS

Brass

CONNECTION TAP

Male thread G1/2"

STANDARD AND NORMS

EN13792:2000

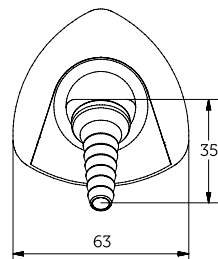
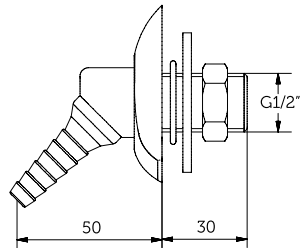
DIN12898

DIN12918

ISO228/1

OPTIONS

With chemical nickel
plating 17 microns inside



APPLICATION

Wall mounting

SURFACE PROTECTION

Epoxy powder coating
RAL 7035

MATERIALS

Brass

CONNECTION TAP

Male thread G3/8"

STANDARD AND NORMS

EN13792:2000

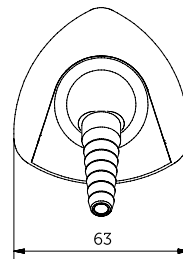
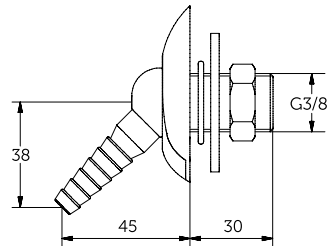
DIN12898

DIN12918

ISO228/1

OPTIONS

With chemical nickel
plating 17 microns inside



WARRANTY 2 YEARS

APPLICATION

Bench - Wall mounting

Fume cupboard

SURFACE PROTECTION

Epoxy powder coating

RAL 7035

MATERIALS

Brass

CONNECTION TAP

Male thread G1/2"

STANDARD AND NORMS

EN13792:2000

DIN12898

DIN12918

ISO228/1

OPTIONS

With chemical nickel plating
17 microns inside

