

W e . s u p p o r t . t h e
i n n o v a t i o n s . o f . c u s t o m e r s

Leak - Proof Flow & Control Solution Partner

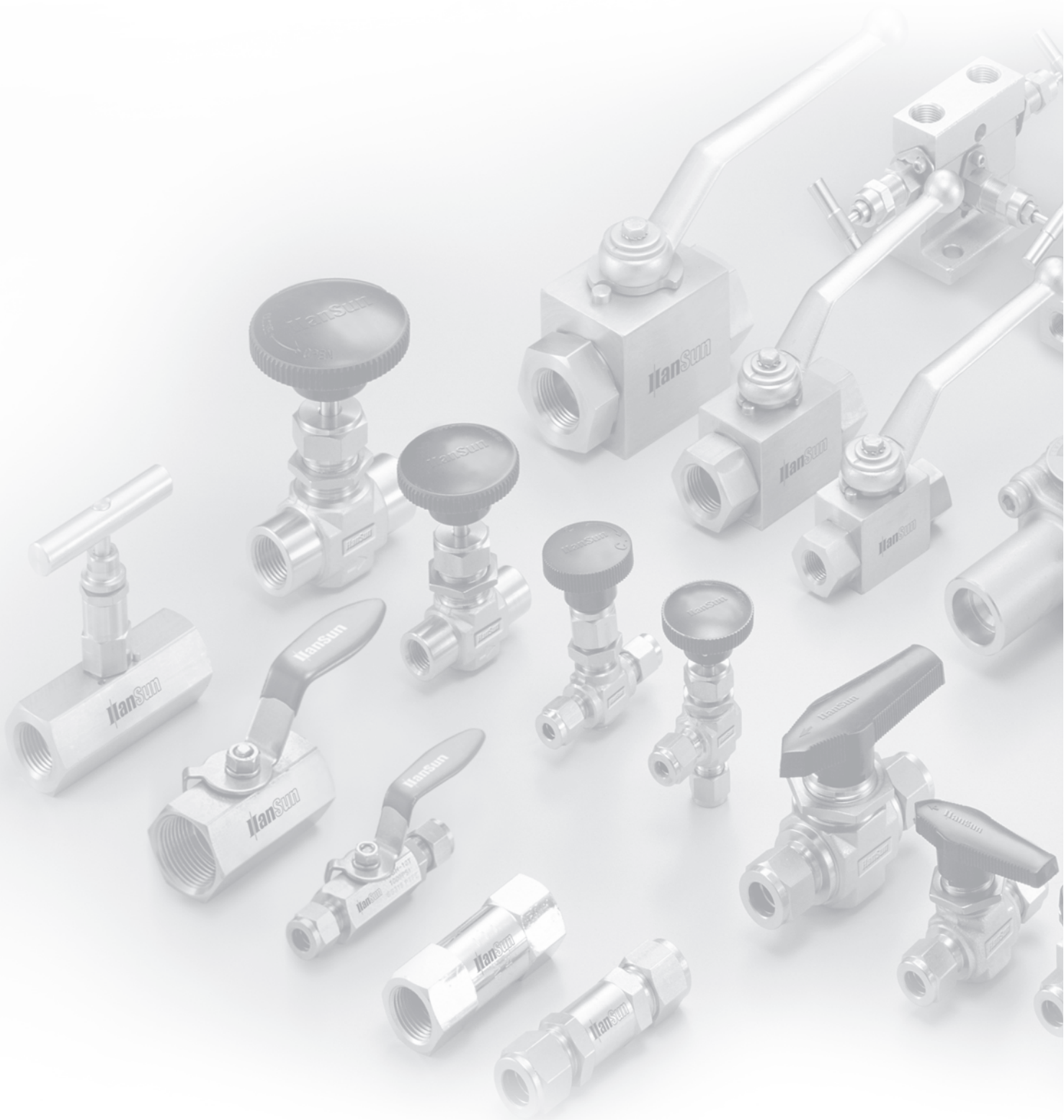
The Best Partner
for Value Creation

S-LOK[®] Needle Valves

HanSun

한선엔지니어링(주)
HANSUN ENGINEERING CO., LTD.





Needle Valves

High Pressure Needle Valves

Union Bonnet Needle Valves

SNV SERIES

SNV50
Series



4~7

SBNV60
Series



8~10

SHNV100 SERIES

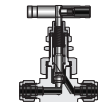
SHNV100
Series



11~13

SUNV60 SERIES

SUNV60
Series



14~19

We · support · the
i n n o v a t i o n s · o f · c u s t o m e r s

Leak - Proof Flow & Control Solution Partner

The Best Partner
for Value Creation

S-LOK® Needle Valves

Needle Valves



SNV50



SBNV60

SNV50 Series 5000psi Integral Bonnet Needle Valves

Features

- Pressure rating up to 5000psi(344bar) @100°F(38°C).
- Temperature rating from -65°F(54°C) to 450°F(232°C). with standard PTFE packing, and up to 600°F(315°C). with optional PEEK packing.
- Choice of materials : Standard S316 and available in alloy 400 and Brass.
- Available sour Gas service per NACE MR0175.
- Every valve is 100% factory tested with the Nitrogen @1000psi.

Design

- Applications : General purpose gas, water and oil.
- Variety stem tips include Vee, Regulating and Soft-seat with Kel-F.
- Orifice sizes : from 0.08in(2.0mm) to 0.375in(9.5mm).
- Flow Coefficients(Cv) : from 0.09 to 1.8.
- Forged body with straight and angle patterns.
- Panel mounting : from 3.17mm to 6.35mm.
- Stem threads are rolled and hard chrome-plated for maximum service life.
- Packing materials : Standard PTFE and optional PEEK packing for high temperature.
- Packing nut enables easy external adjustments to ensure leak-free stem seal.
- Variety of End connections include S-LOK, NPT & ISO threads Male/Female.
- Standard Round handle is Black Phenolic Knob and optional Bar Handle with S316.

Technical Data

Temperature - Working Pressure

The class rating and rated working pressure are the way that ASME standards simplify the design process. The pressure rating is governed by the allowable stress for each different material group, class rating and service temperature.

ASME Material Group	TABLE 2-2.2	N/A	TABLE 2-3.4
ASME CLASS Rating	2080	N/A	1500
Material Name	S316	Brass	Alloy 400
Temperature @pressure, °F (°C)	psig (bar)	psig (bar)	psig (bar)
-65°F (-54°C) up to	100°F (38°C)	5000 (344)	3000 (206)
	200°F (93°C)	4295 (295)	2350 (161)
	300°F (148°C)	3875 (266)	2050 (141)
	350°F (176°C)	3710 (255)	1470 (101)
	400°F (204°C)	3560 (245)	390 (26)
450°F (232°C)	3435 (236)	-	2380 (163)

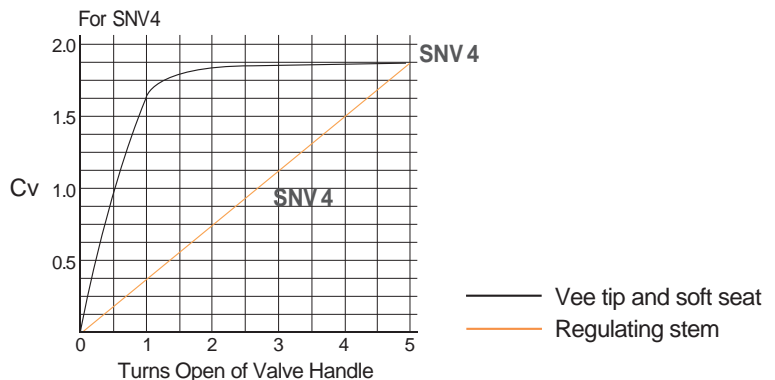
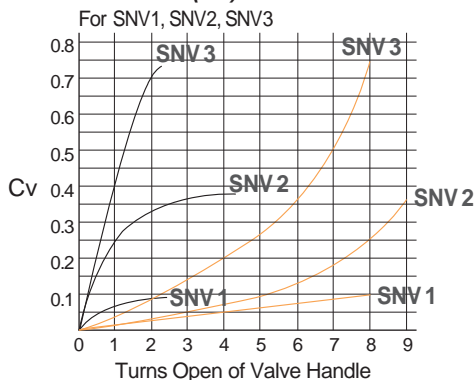
Pressure ratings of valves with S-LOK end connections are determined by the tubing material and wall thickness.

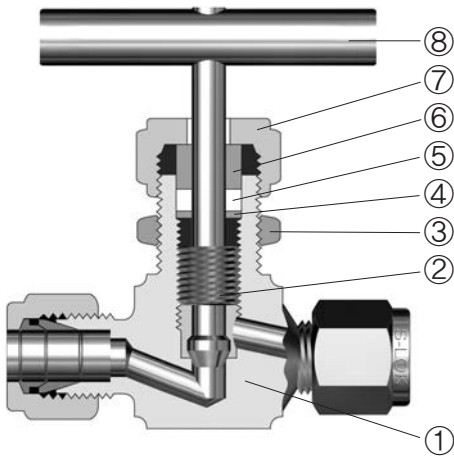
Note Pressure rating of valve is sometimes limited to the working pressure of pipe ends and the tubing connected.

Temperature & Pressure Rating with Packing and Body Material

Valve Material	Stem	with PTFE packing (Standard)		with PEEK packing (Optional)	
		Temperature °F(°C)	Pressure Rating @100°F(37°C)	Temperature °F(°C)	Pressure @Temp. Rating psig (bar)
Stainless Steel S316	Metal to metal (Vee & Regulating)	-65°F to 450°F (-54°C to 232°C)	5000psig (344bar)	-65°F to 600°F (-54°C to 315°C)	3130psig (215bar)
	Soft Seat (Kel-F)	-65°F to 200°F (-54°C to 93°C)		-65°F to 200°F (-54°C to 93°C)	
Brass	Metal to metal (Vee & Regulating)	-65°F to 400°F (-54°C to 204°C)	3000psig (206bar)	-65°F to 400°F (-54°C to 204°C)	3000psig (206bar)
	Soft Seat (Kel-F)	-65°F to 200°F (-54°C to 93°C)		-65°F to 200°F (-54°C to 93°C)	
Alloy 400 (Monel)	Metal to metal (Vee & Regulating)	-65°F to 450°F (-54°C to 232°C)	3000psig (206bar)	-65°F to 500°F (-54°C to 260°C)	2370psig (162bar)
	Soft Seat (Kel-F)	-65°F to 200°F (-54°C to 93°C)		-65°F to 200°F (-54°C to 93°C)	

Flow Coefficient (Cv) with Number of Handle Turns





Materials of Construction

Item	Description	Material / ASTM Specification		
		S316	BRASS	Alloy 400
1	Body	S316	Brass	Alloy 400/B564
2	Vee Stem	Chrome plated S316	S316	Alloy R-405/B 164
	Soft Seat Stem			
	Regulating Stem			
2a	Stem Tip (Soft Seat)	Kel-F (PCTFE)		
3	Panel Nut	S316	Brass	Alloy R-405/B 164
4	Packing Ring	S316	Brass	Alloy R-405/B 164
5	Packing	Standard PTFE, Optional PEEK		
6	Grand	S316	Brass	Alloy R-405/B 164
7	Packing Nut	S316	Brass	S316
8	Knop Handle	Black phenolic knop		
	Bar Handle	S 316		
9	Set screw	Nickel cadmium plated steel		

Wetted parts are listed in orange color.
Standard Lubrication : Fluorocarbon based.

Mounting as standard

Body Size	SNV 1	SNV 2	SNV 3	SNV 4
Panel Hole	13.5mm		19.8mm	26.0mm
Panel Mount Thickness	Min	3.17mm		
	Max	6.35mm		

Caution : Packing adjustments may be required during the valve is mounted.




• Sour Gas Service

-Sour Gas Service is provided to meet NACE Standard MR 0175.

• Handle

-Black phenolic knop is standard all body valves.
-Stainless Steel bar is available as an option.

Choice of Stem Tip's available

Vee Stem	Regulating Stem	Soft Seat(3 PCS)
For pressure tightness even at elevated temperatures	For flow rate control	For repetitive shut-off
		

• Testing

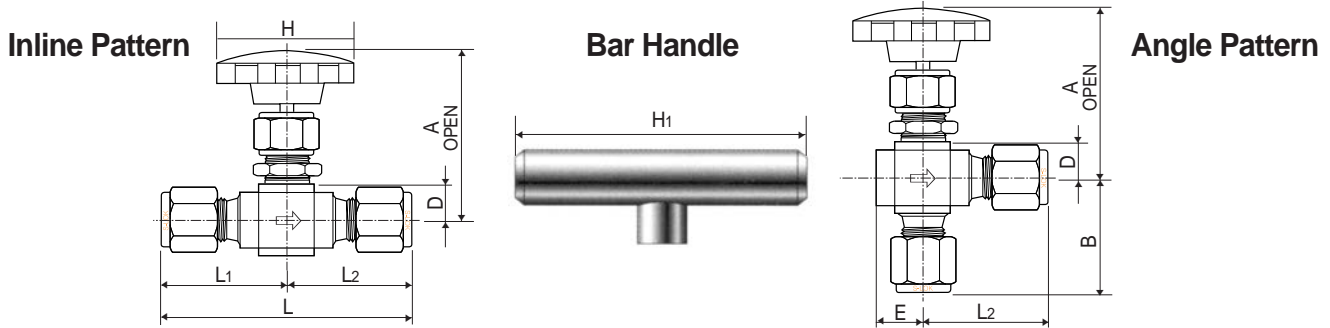
-Every valve is factory tested for bubble-tight leakage at both seat and stem packing with nitrogen at 1000psi(69bar).
-Seats have a maximum allowable leak rate of 0.1sccm **Hydrostatic Shell tests** is performed optional with water at 1.5 times the working pressure.

• Safety in Valve Selection

-When selecting a valve, the total system design must be considered to ensure safe, trouble-free performance. Valve function, materials compatibility, adequate ratings, proper installation, operation, and maintenance are the responsibility of the system designer and user.

Caution : Packing adjustments may be required during the valve's service life.
Extreme Temperature fluctuations may require packing nut adjustment.

Ordering Information and Table of Dimensions



Valve Ordering Number	Orifice (mm)	Cv	End Connection		Dimensions (mm)										
			Inlet	Outlet	A	B	L	L1	L2	E	D	H	H1		
SNV 1	F-2N	2.0	0.09	1/8" Female NPT		61	21	42	21	21	9.5	11	35	32	
	M-2N			1/8" Male NPT				42	21	20					
	MS-2N2T			1/8" Male NPT	1/8" S-LOK			47	21	26					
	S-2T			1/8" S-LOK				26	52	26					26
	S-3M			3mm S-LOK				26	52	26					26
SNV 2	F-2N	4.4	0.37	1/8" Female NPT		61	21	42	21	21	9.5	11	35	45	
	M-2N			1/8" Male NPT				42	21	20					
	M-4N			1/4" Male NPT				50	25	25					
	MS-4N4T			1/4" Male NPT	1/4" S-LOK			54	25	28.8					
	S-6M			6mm S-LOK				29	57.6	28.8					28.8
	S-4T			1/4" S-LOK				29	57.6	28.8					28.8
SNV 3	F-4N	6.4	0.73	1/4" Female NPT		77	28	56	28	28	13	13.5	47	64	
	F-4R			1/4" Female ISO Tapered				61.2	28	33.2					
	MF-4N			1/4" Male NPT	1/4" Female NPT			58	28	29					
	MS-4N6T			1/4" Male NPT	3/8" S-LOK			62.2	29	33.2					
	M-6N			3/8" Male NPT				65	36	36					
	MS-6N6T			3/8" Male NPT	3/8" S-LOK			62.2	29	33.2					
	MS-6N8T			3/8" Male NPT	1/2" S-LOK			65	36	36					
	M-10M			10mm S-LOK				33	66.4	33.2					33.2
	S-6T			3/8" S-LOK				33	66.4	33.2					33.2
	S-12M			12mm S-LOK				36	72	36					36
	S-8T			1/2" S-LOK				36	72	36					36
SNV 4	F-6N	9.5	1.80	3/8" Female NPT		99	38	76	38	38	19	19	63	76	
	F-6R			3/8" Female ISO Tapered				76	38	38					
	F-8N			1/2" Female NPT				76	38	38					
	F-8R			1/2" Female ISO Tapered				76	38	38					
	M-8N			1/2" Male NPT				76	38	38					
	MF-8N			1/2" Male NPT	1/2" Female NPT			76	38	38					
	S-8T			1/2" S-LOK				49	97	48.5					48.5
	S-8M			1/2" S-LOK				49	97	48.5					48.5
	S-12T			3/4" S-LOK				49	97	48.5					48.5

All dimensions shown are for reference only and are subject to change. Dimensions with S-LOK nuts are in finger-tight position.
 Patterns : To order angle pattern, use-A as a suffix to the valve ordering number. *Example : SNV1-F-2N-A*

• Ordering Information

SNV3	S	8T	A	R	BH	SG	S6
Series Designator by Orifice Size	End Connection Designator	Inlet-Outlet Size Designator	Flow Designator	Stem Designator	Handle Designator	Sour Gas Designator	Body Material Designator
			<ul style="list-style-type: none"> • Nil : Straight • A : Angle Pattern 	<ul style="list-style-type: none"> • Nil : Vee Stem • R : Regulating • K : Soft Tip with Kel-F 	<ul style="list-style-type: none"> • Nil : Standard black phenolic Knob • BH: Stainless Round Bar Handle 	<ul style="list-style-type: none"> • Nil : Standard • SG: Sour Gas Service 	<ul style="list-style-type: none"> • S6 : 316 Stainless Steel • BS : Brass • MO: Alloy 400

SBNV60 Series 6000psi Integral Bonnet Bar Stock Needle Valves

Features

- Pressure rating up to 6000psi(413bar)@100°F(38°C).
- Temperature rating from -65°F(54°C) to 450°F(232°C) with standard PTFE packing, and up to 600°F(315°C) with optional PEEK packing.
- Choice of materials : Standard S316 and available in alloy 400.
- Available Sour Gas service per NACE MR 0175.
- Every valve is 100% factory tested with the Nitrogen @1000psi (69bar).

Design

- Applications : General purpose gas, water and oil.
- Two-piece chevron-style PTFE stem packing design with compensating disc springs.
- Compact and rugged design.
- Variety stem tips include Vee, and Soft-seat with Kel-F.
- Orifice sizes : from 0.17in(4.3mm) to 0.25in(6.3mm).
- Flow Coefficients(Cv) : from 0.37 to 0.73.
- Bar stock body with straight and angle patterns.
- Stem threads are hard chrome-plated for maximum service life.
- Packing materials : Standard PTFE and optional PEEK packing for high temperature.
- Packing nut enables easy external adjustments to ensure leak-free stem seal.
- Variety of End connections include S-LOK, NPT & ISO threads Male/Female.
- Standard Bar Handle with S316.

Technical Data

• Temperature - Working Pressure

Description	Pressure (psig) @ Temperature Rating		
	ANSI Group	2.2	3.4
	ANSI Class	2500	2500
	Materials	S316	Alloy 400
-65°F(-54°C)	100°F(38°C)	6000	5000
	200°F(93°C)	5160	4400
	300°F(148°C)	4660	4120
	350°F(176°C)	4470	4060
	400°F(204°C)	4280	3980
	450°F(232°C)	4130	3970

► Pressure ratings of valves with S-LOK end connections are determined by the tubing material and wall thickness. For more information about pressure ratings of valves with tube fitting end connections.

Note Pressure rating of valve is sometimes limited to the working pressure of pipe ends and the tubing connected.

• Temperature and Pressure Ratings

Body Material	Stem Tip	Temperature Rating	Pressure Rating @ -65°F to 100°F (-54°C to 38°C)
316 Stainless Steel	Vee	-65°F to 450°F (-54°C to 232°C)	6000psig
	Soft Seat (Kel-F)	-65°F to 200°F (-54°C to 93°C)	
Alloy 400 (Monel)	Vee	-65°F to 450°F (-54°C to 232°C)	5000psig
	Soft Seat (Kel-F)	-65°F to 200°F (-54°C to 93°C)	

► The above ratings are for standard valve with PTFE packing. For optional packing materials, refer to the table shown below.

► Extreme temperature fluctuations may require packing adjustment.

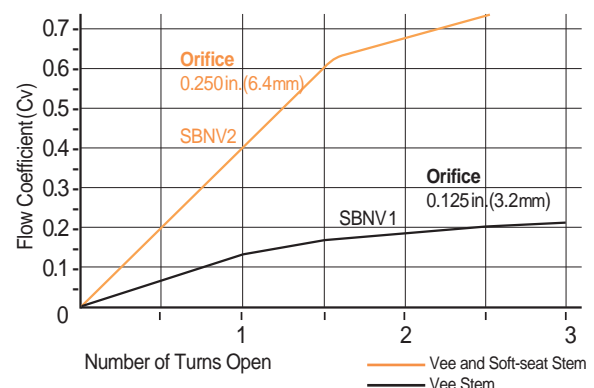
• Temperature-Pressure Rating with Packing and Body Materials

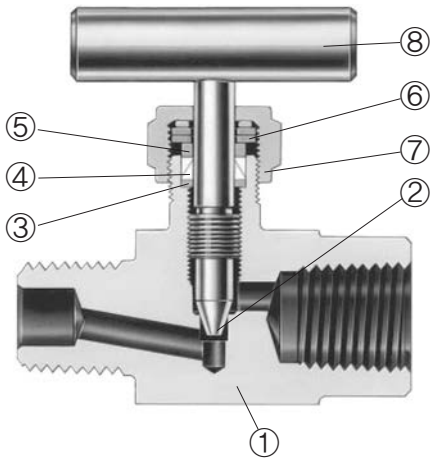
Packing Material	Body Material	Temperature Rating	Pressure Rating Max. Temp.
PTFE (Standard)	316 Stainless Steel	-65°F to 450°F (-54°C to 232°C)	4130psig
	Alloy 400*		3970psig
PEEK	316 Stainless Steel	-65°F to 600°F (-54°C to 315°C)	3760psig
	Alloy 400*		3960psig

* Not applicable over 500°F(260°C), PEEK is not recommended for service with aromatic heat transfer fluids or concentrated sulfuric and nitric acids.

► Other limitations may apply.

• Flow Coefficient (Cv)-Number of Handle Turns

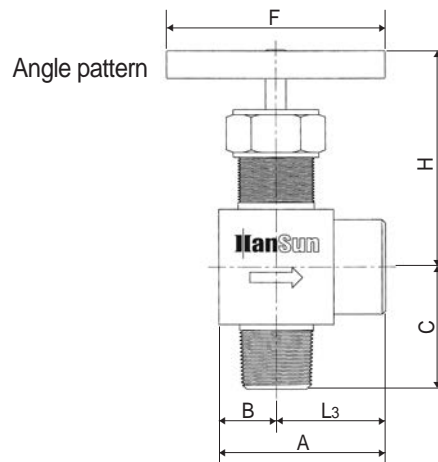
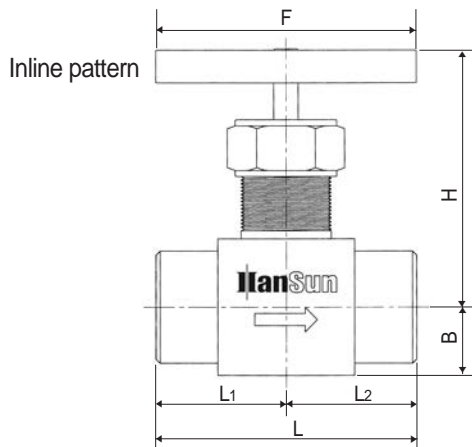




Materials of Construction

Item	Description	Material / ASTM Specification	
		S316	Alloy 400
1	Body	S316	Alloy 400/B564
2	Vee Stem	Chrome plated S316	Alloy R-405/B 164
	Soft Seat Stem		
2a	Stem Tip (Soft Set)	Kel-F (PTFE)	
3	Packing Ring	S316	Alloy R-405/B 164
4	Packing	Standard PTFE, Optional PEEK	
5	Grand	S316	Alloy R-405/B 164
6	Packing Spring	17-7PH	
7	Packing Nut	S316	
8	Bar Handle	S316	Alloy R-405/B 164

Wetted parts are listed in orange color.
Standard Lubrication : Fluorocarbon based.



Ordering Information and Table of Dimensions

Valve Ordering Number	Orifice (mm)	Cv	End Connection		Dimensions (mm)									
			Inlet	Outlet	L	L1	L2	L3	A	B	C	H	F	
SBNV1	3.2	0.21	1/4" Female NPT		47.8	23.9	23.9	25.4	36.6	11.2	25.4	42.2	44.5	
			1/4" Male NPT											
			1/4" Male NPT		49.3	24.6	24.6	-	-					-
			1/4" Male NPT	1/4" Female NPT										
			1/4" Male NPT		55.8	24.6	31.2	28.7	39.9					26.2
			1/4" S-LOK	1/4" S-LOK										
SBNV2	6.4	0.73	3/8" Female NPT		63.5	31.8	31.8	31.8	48.6	16.8	31.8	58.7	64	
			1/2" Female NPT											
			1/2" Female ISO											
			3/8" Male NPT	3/8" Female NPT	64.8	33.0	-	-	31.0					
			1/2" Male NPT	1/2" Female NPT							64.8			33.0
			3/4" Male NPT	1/2" Female NPT	63.5	31.8	-	-	-					
			3/8" S-LOK								78.2			39.1
			1/2" S-LOK		83.8	41.9	41.9	-	-		-			

Dimension shown are for reference only, subject to change.

• Sour Gas Service

-Sour Gas Service is provided to meet NACE Standard MR 0175.

• Handle

-Stainless Steel bar handle is standard all body valves.
-Black phenolic knob is standard for soft seat stem valves.

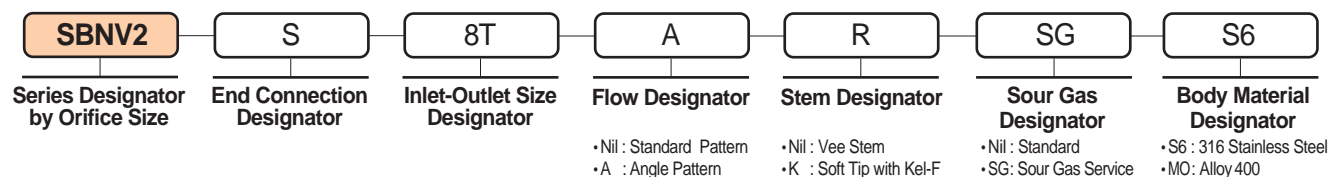
• Testing

-Every valve is factory tested for bubble-tight leakage at both seat and stem packing with nitrogen at 1000psi(69bar).
-Seats have a maximum allowable leak rate of 0.1 sccm **Hydrostatic Shell tests** is performed optional with water at 1.5 times the working Pressure.

• Safety in Valve Selection

-When selecting a valve, the total system design must be considered to ensure safe, trouble-free performance. Valve function, materials compatibility, adequate ratings, proper installation, operation, and maintenance are the responsibility of the system designer and user.

• Ordering Information



We · support · the
i n n o v a t i o n s · o f · c u s t o m e r s

Leak - Proof Flow & Control Solution Partner

The Best Partner
for Value Creation

S-LOK® High Pressure Needle Valves

High Pressure Needle Valves



SHNV100

SHNV100 Series 10000psi High Pressure Needle Valves

Product Information

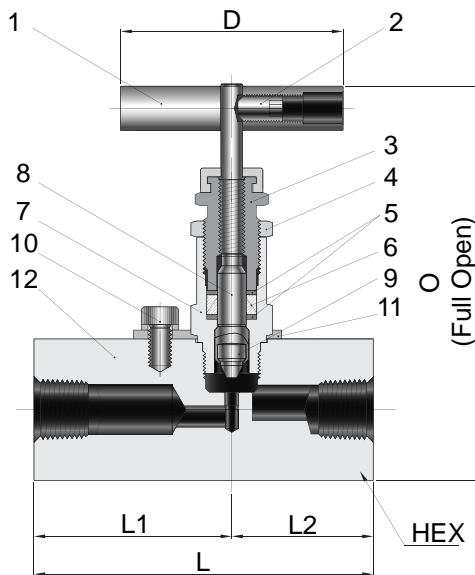
Features

- Packing bolt allows external packing adjustment.
- Chevron PTFE packing design provides highly qualified sealing maintainability.
- Packing under the stem threads is to isolate threads from system fluid and lubricant washout.
- non-rotating stem tip at closure is used for long-life and leak-tight shutoff.
- Lock plate ensures the valve to be fastened to the body.
- NACE MR0175/ISO 15156-3 are applicable.

Pressure-Temperature Ratings

Body material	Packing material	Temperature Rating	Pressure Rating @38° C (100 F)	Pressure Rating @ Max, Temp
Stainless steel	PTFE	-54 to 232°C (-65 to 450°F)	689 bar (10,000 psig)	285 bar@232°C 4,130 psig@450°F
	Graphite	-54 to 648°C (-65 to 1200°F)		118 bar@648°C 115 psig@1,200°F
Carbon steel	PTFE	-29 to 176°C (-20 to 350°F)	689 bar (10,000 psig)	360bar@176 °C (5,230psig@350°F)
	Graphite	-29 to 176°C (-20 to 350°F)		

Material of Construction



Component	Valve Body Materials	
	Stainless Steel	Carbon steel
	Grade/ASTM Specification	
1 Handle	Stainless Steel	Carbon steel
2 Set screw		Carbon steel
3 Packing bolt	S316/A276 or A479	C. Steel/JIS G4051
4 Lock nut		
5 Packing Ring	Reinforced PTFE	
6 Packing	Standard chevron PTFE packing, Optional Graphite	
7 Bonnet	S316/A276 or A479	C.STEEL/JIS G4051
8 Stem		S316/A276 or A479
9 Non-rotating stem disc	S630/A564	
10 Lock bolt	Stainless steel	
11 Lock plate		
12 Body	S316/A276 or A479	C.STEEL/JIS G4051 White zinc galvanized

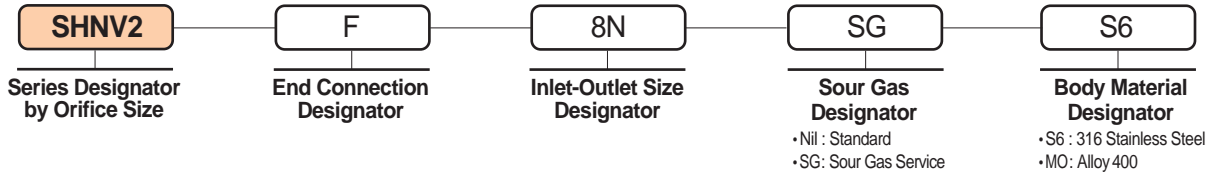
Ordering Information and Dimensions

Basic Ordering NO.	End Connection		Orifice in(mm)	Dimensions					in(mm) O
	Inlet	Outlet		L	L1	L2	Hex.	D	
SHNV1	F-4N	1/4 Female NPT	0.126 (3.2)	3 (76.2)	1.75 (44.4)	1.25 (31.8)	1.25 (31.8)	45	72.7
	F-6N	3/8 Female NPT							
SHNV2	F-8N	1/2 Female NPT	0.197 (5.0)	3 (76.2)	1.5 (38.1)	1.5 (38.1)	1.5 (38.1)	64	94.8
	MF-8N	1/2 Male NPT 1/2 Female NPT							
	MF-12N	3/4 Male NPT 3/4 Female NPT							

Product Information

How to Order

- To complete ordering number, add material designator S6 for 316 stainless steel or CS for carbon steel. Example SHNV2-F-8N-S6
- To order an optional, Graphite packing, insert GF to the ordering number. Example SHNV2-F-8N-GF-S6
- To order NACE applicable valve, insert SG to the ordering number. Example SHNV2-F-8N-GF-SG-S6



Factory Test

- Every valve is factory tested with nitrogen at 69 bar (1,000 psig) for the leakage from the seat to a maximum allowable leak rate of 0.1 Standard Cubic Centimeter per minute (SCCM).
- Stem packing is tested for the detection of no leakage.

Packing Adjustment and Actuation Torque

- Extreme or rapid temperature cycle while valve in service may require packing adjustment.
- Valves that have not been actuated for a period of time may have a higher initial actuation torque.

Safety in Valve Selection

- In selection of a valve, the design of the total system must be considered to ensure safe and trouble-free performance. The system designer and the user are responsible for valve function, material's compatibility, adequate ratings, proper installation, operation, and maintenance.

We · support · the
i n n o v a t i o n s · o f · c u s t o m e r s

Leak - Proof Flow & Control

The Best Partner
for Value Creation

Solution Partner

S-LOK® Union Bonnet Needle Valves

Union Bonnet Needle Valve



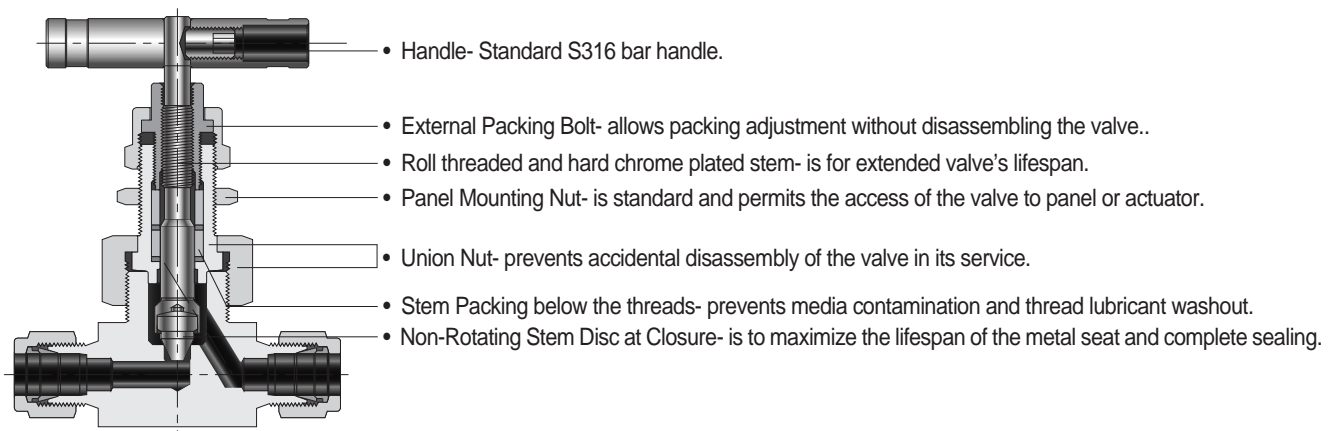
SUNV60

SUNV60 Series 6000psi Union Bonnet Needle Valves

Product Information

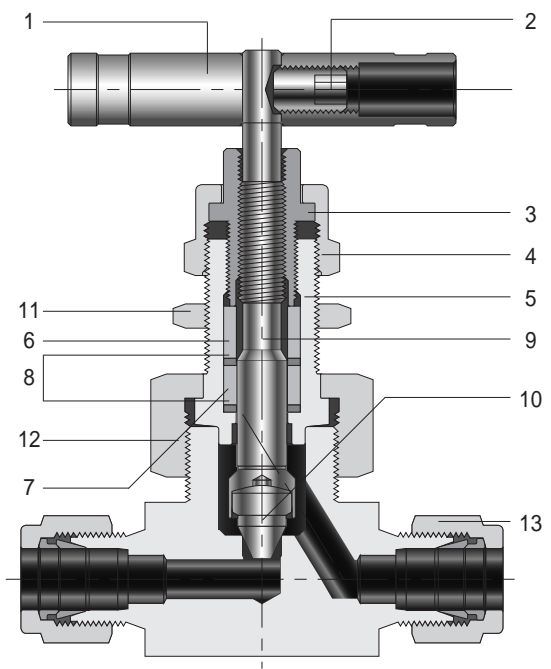
Features

- Pressure up to 6,000 psig(413 bar) @ 100°F(38 °C).
- High Temperatures up to 449°F(232 °C) with standard PTFE packing; up to 1,200°F(648°C) with Grafoil packing.
- Standard 316 stainless steel, optional Alloy 20, and Alloy C276 construction.
- Valve stem back seating against the bevelled edge of bonnet in fully open position prevents maximum leakage through bonnet when packing fails.
- Standard non-rotating stem disc and stem packing below the threads design.



Materials of Construction

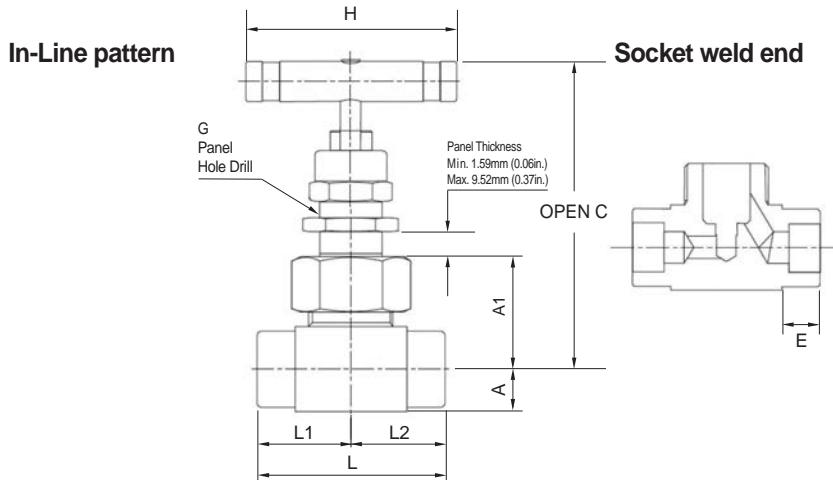
Component	Valve Body Materials		
	S316	Alloy 20	Alloy C276
Material Grade/ASTM Specification			
1. Bar handle	S316/A276, optional anodized aluminum handle		
2. Set screw	Grade B8 TYPE 304/A193		
3. Packing bolt	S316/A276 or A479		
4. Cap nut	S316/A276 or A479		
5. Bonnet *	S316/A276 or A479	Alloy 20/B473	C276/B574
6. Gland	S316/A276 or A479	Alloy 20/B473	C276/B574
7. Packing *	PTFE/D1710, optional PEEK & Graphite		
8. Packing supports	Reinforced PTFE		
9. Stem	Hard Chrome-plated S316/A276 or A479	Alloy 20/B473	C276/B574
10. Standard : Globe disc Optional : Ball disc, Regulating disc.	TYPE630/A564	Alloy 20/B473	C276/B574
11. Panel nut	S316/A276 or A479		
12. Union nut	S316/A276 or A479		
13. Body *	S316/A276 or A479	Alloy 20/B473	C276/B574



Note: * marked are wetted parts

Product Information

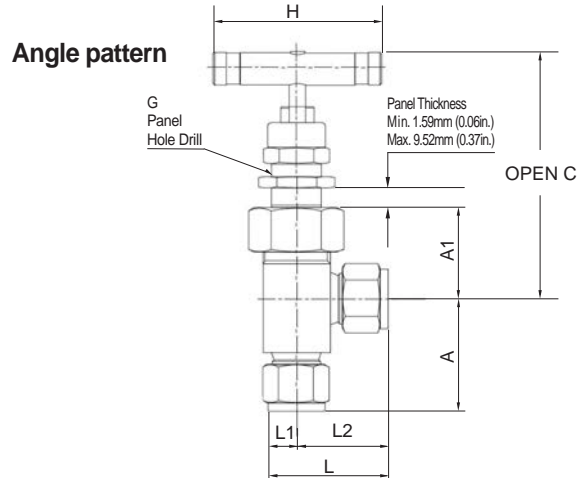
Table of Dimensions



Basic Ordering Number			End Connections		Orifice mm	Cv	Dimensions mm							
			Inlet	Outlet			L	L1	A1	A	H	G	C	E
SUNV1-	F	2N	1/8 F NPT		4.0	0.35	50.8	25.4	27.7	9.7	44.4	15.1	77.2	-
	F	4N	1/4 F NPT				52.3	26.2	27.7	9.9	44.4	15.1	77.2	-
	M	4N	1/4 M NPT				50.8	25.4	27.7	9.7	44.4	15.1	77.2	-
	MF	4N	1/4 M / F NPT				51.6	26.2	27.7	9.9	44.4	15.1	77.2	-
	S	6M	6 mm S-LOK				61.0	30.5	27.7	9.7	44.4	15.1	77.2	-
	S	4T	1/4 S-LOK				61.0	30.5	27.7	9.7	44.4	15.1	77.2	-
	SW	4T	1/4 TSW				46.2	23.1	27.7	9.7	44.4	15.1	77.2	7.1
	S	8M	8 mm S-LOK		61.0	30.5	27.7	9.7	44.4	15.1	77.2	-		
SUNV2-	F	4N	1/4 F NPT		6.4	0.86	57.2	28.4	34.0	12.7	63.5	19.8	94.0	-
	F	6N	3/8 F NPT				57.2	28.4	34.0	12.7	63.5	19.8	94.0	-
	S	10M	10 mm S-LOK				72.4	36.1	34.0	12.7	63.5	19.8	93.7	-
	S	6T	3/8 S-LOK				71.9	35.8	34.0	12.7	63.5	19.8	94.0	-
	S	12M	12 mm S-LOK				77.2	38.6	34.0	12.7	63.5	19.8	94.0	-
	S	8T	1/2 S-LOK				77.2	38.6	34.0	12.7	63.5	19.8	94.0	-
	SW	4P	1/4 PSW				57.2	28.4	34.0	12.7	63.5	19.8	94.0	9.7
	SW	6T	3/8 TSW				57.2	28.4	34.0	12.7	63.5	19.8	94.0	7.9
	SW	8T	1/2 TSW		57.2	28.4	34.0	12.7	63.5	19.8	94.0	9.7		
SUNV3-	F	8N	1/2 F NPT		11.1	2.20	79.2	39.6	46.2	15.7	88.9	26.2	121	-
	F	12N	3/4 F NPT				82.6	41.1	48.5	19.8	88.9	26.2	124	-
	F	16N	1 F NPT				91.9	46.0	54.1	25.4	88.9	26.2	129	-
	MF	8N	1/2 M / F NPT				79.2	39.6	46.2	15.7	88.9	26.2	121	-
	MF	12N	3/4 M / F NPT				82.6	41.1	48.5	19.8	88.9	26.2	124	-
	MF	16N	1 M / F NPT				91.9	46.0	54.1	25.4	88.9	26.2	129	-
	S	12M	12 mm S-LOK				99.6	49.8	46.2	15.7	88.9	26.2	121	-
	S	8T	1/2 S-LOK				99.6	49.8	46.2	15.7	88.9	26.2	121	-
	S	12T	3/4 S-LOK				99.6	49.8	46.2	15.7	88.9	26.2	121	-
	S	16T	1 S-LOK				104	51.8	47.8	17.5	88.9	26.2	121	-
	SW	8P	1/2 PSW				79.2	39.6	47.8	17.5	88.9	26.2	123	9.7
	SW	8T	1/2 TSW				79.2	39.6	46.2	15.7	88.9	26.2	121	9.7
	SW	12T	3/4 TSW				79.2	39.6	46.2	15.7	88.9	26.2	121	11.2

Product Information

Table of Dimensions



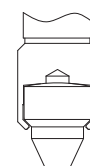
Basic Ordering Number			End Connections		Orifice mm	Cv	Dimensions mm						
			Inlet	Outlet			L2	A	L	A2	L1	H	G
SUNV1-	F	2N	1/8 F NPT	4.0	0.35	22.6	25.4	32.3	32.5	9.7	44.4	15.1	82.0
	F	4N	1/4 F NPT			22.6	25.4	32.3	32.5	9.7	44.4	15.1	82.0
	M	4N	1/4 M NPT			25.4	25.4	35.1	27.7	9.7	44.4	15.1	77.2
	MF	4N	1/4 M / F NPT			22.6	25.4	32.3	32.5	9.7	44.4	15.1	82.0
	S	6M	6 mm S-LOK			29.5	37.6	39.1	27.7	9.7	44.4	15.1	77.2
	S	4T	1/4 S-LOK			29.5	37.6	39.1	27.7	9.7	44.4	15.1	77.2
	SW	4T	1/4 TSW			22.4	30.2	31.8	27.7	9.7	44.4	15.1	77.2
	S	8M	8 mm S-LOK			-	-	-	-	-	44.4	15.1	-
SUNV2-	F	4N	1/4 F NPT	6.4	0.86	25.4	28.4	38.1	37.3	12.7	63.5	19.8	97.0
	F	6N	3/8 F NPT			25.4	28.4	38.1	37.3	12.7	63.5	19.8	97.0
	S	10M	10 mm S-LOK			33.0	39.4	45.7	34.3	12.7	63.5	19.8	94.2
	S	6T	3/8 S-LOK			32.8	42.2	45.5	31.0	12.7	63.5	19.8	90.7
	S	12M	12 mm S-LOK			35.6	41.9	48.3	34.0	12.7	63.5	19.8	94.0
	S	8T	1/2 S-LOK			35.6	41.9	48.3	34.0	12.7	63.5	19.8	94.0
	SW	4P	1/4 PSW			25.4	28.4	38.1	37.3	12.7	63.5	19.8	97.0
	SW	6T	3/8 TSW			25.4	31.8	38.1	34.0	12.7	63.5	19.8	94.0
	SW	8T	1/2 TSW			25.4	25.4	38.1	35.6	12.7	63.5	19.8	95.5
SUNV3-	F	8N	1/2 F NPT	11.1	2.20	33.3	39.6	50.8	50.8	17.5	88.9	26.2	126
	F	12N	3/4 F NPT			-	-	-	-	-	88.9	26.2	-
	F	16N	1 F NPT			-	-	-	-	-	88.9	26.2	-
	MF	8N	1/2 M / F NPT			33.3	39.6	50.8	50.8	17.5	88.9	26.2	126
	MF	12N	3/4 M / F NPT			-	-	-	-	-	88.9	26.2	-
	MF	16N	1 M / F NPT			-	-	-	-	-	88.9	26.2	-
	S	12M	12 mm S-LOK			42.7	52.8	60.2	47.8	17.5	88.9	26.2	123
	S	8T	1/2 S-LOK			42.7	52.8	60.2	47.8	17.5	88.9	26.2	123
	S	12T	3/4 S-LOK			42.7	52.8	60.2	47.8	17.5	88.9	26.2	123
	S	16T	1 S-LOK			-	-	-	-	-	88.9	26.2	123
	SW	8P	1/2 PSW			33.3	39.6	50.8	50.8	17.5	88.9	26.2	126
	SW	8T	1/2 TSW			33.3	42.9	50.8	47.8	17.5	88.9	26.2	123
	SW	12T	3/4 TSW			-	-	-	-	-	88.9	26.2	-

Product Information

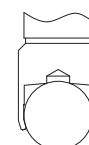
Technical Data

Valve Material	Stem Disc Designator	Temperature Rating °F(°C)	Pressure Rating @ -65 to 100°F (-53 to 38°C)
<ul style="list-style-type: none"> S316 Alloy 20 Alloy C276 	<ul style="list-style-type: none"> Globe: Nil. Regulating: R Ball: B 	-65 to 449 (-53 to 232)	6,000 psig (413 barg)

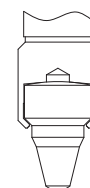
Globe Disc



Ball Disc



Regulating Disc



- The above ratings are for a standard valve with PTFE packing. For optional packing materials, refer to the table show below.
- Extreme temperature fluctuations may require packing adjustment accordingly.

Packing and Body Materials & Temperature and Pressure Rating

Packing Material	Body Material	Temperature	Pressure @ Temp Rating
PTFE (Standard)	S316	-65°F ~ 450°F (-54°C ~ 232°C)	4,130 psig
	Alloy20		3,970 psig
PEEK	S316	-65°F ~ 600°F (-54°C ~ 315°C)	3,760 psig
	Alloy20	-65°F ~ 500°F (-54°C ~ 260°C)	3,960 psig
Graphite	S316	-65°F ~ 1,200°F (-54°C ~ 648°C)	1,715 psig
	Carbon Steel	-20°F ~ 350°F (-29°C ~ 176°C)	5,230 psig
	Alloy20	-65°F ~ 500°F (-54°C ~ 260°C)	3,960 psig

Note :

Applicable over 500 °F (260 °C).

PEEK is not recommended for service with aromatic heat transfer fluids or concentrated sulfuric and nitric acids.

Other limitations may apply.

Pressure-Temperature Ratings

Temperature	Pressure (psig) @ Temperature Rating			
	ANSI Group	2.2	NA	3.4
	Materials	S316	Carbon Steel *	ALLY20
	ANSI Class	2,500	NA	2,500
-65°F(-54°C)	100°F(38°C)	6,000	6,000	5,000
	200°F(93°C)	5,160	5,420	4,400
	300°F(148°C)	4,660	5,320	4,120
	350°F(176°C)	4,770	5,230	4,050
	400°F(204°C)	4,280	-	3,980
	450°F(232°C)	4,130	-	3,970

- Rated at a low temperature of -20°F (-29°C)
- To determine Kpa, multiply psig by 6.89 and multiply barg by 0.0689.
- When valves with S-lok fitting's end connections are connected to tubing, the working pressure of tubing must be considered in the calculation of total system working pressure

Product Information

Sour Gas Service

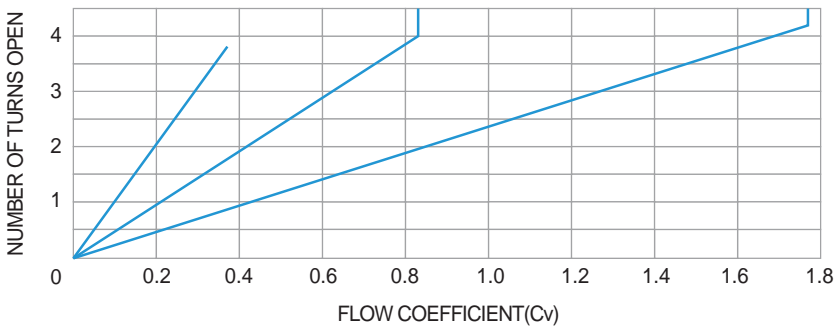
- Valves for use in sour gas are available. Valves' wetted components are selected to the requirements of NACE MR0175 for sulfide stress cracking resistant materials. To order, insert -SG in the basic ordering number.

Handles

- S316 bar handle is standard. Optionally, anodized black aluminum bar handle is available.
- To order handle for field assembly, select desired handle ordering number from the table.

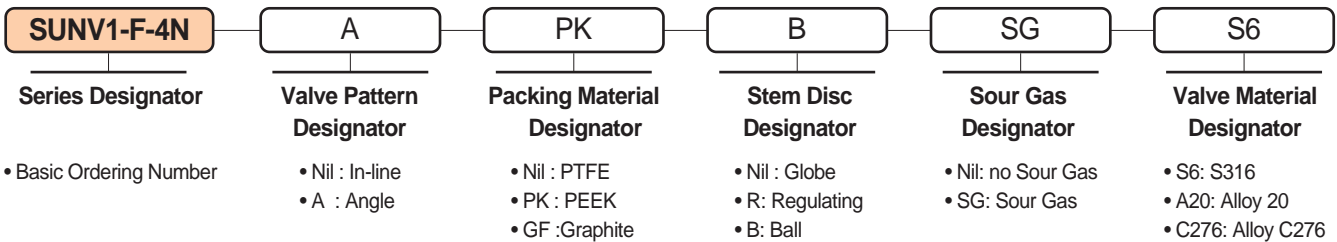
Testing

Flow Data @ 100°F (38°C) for valves with regulating disc



- Valve with standard globe and ball disc is designed to be used in a fully open or fully closed position.

Testing



Safe Valve Selection

The selection of a valve for any application or system design must be considered to ensure safe performance. Valve function, valve rating, material compatibility, proper installation, operation and maintenance remain the sole responsibility of the system designer and the user. S-LOK accepts no liability for any improper selection, installation, operation or maintenance.



27 Noksansandan361-ro, Gangseo-gu
(Songjeong-dong), Busan, Korea

Tel : +82-51-899-6700, Fax : +82-51-899-6799

E-Mail : overseas@ehansun.co.kr

sales@ehansun.co.kr

Website : www.ehansun.co.kr, www.slok.co.kr